

Technical Data Sheet_ 20W LED Retro Tube_4ft-T8



Product Details

Code : 20W LED Retro Tube_4ft-T8
 1)SHTLT8-20W-Double End
 2)SHTLT8-20W-Single End

Model : Tube Light
 Make : SHINE PLUS

Electrical Data

Power Consumption : 20W
 Operating Voltage Range: 90VAC-265VAC
 Frequency : 50 Hz
 Power Factor : > 0.96
 THD : <15%
 Driver : Constant Current
 Efficiency : > 85%

Light Data

Light source (LED) : Edison
 Efficacy : 110 lm/Watt
 Luminous flux : 2200 lumens
 Colour temperature : 6000k
 CRI : >80
 Average Life : L70 @ 50,000 Hours.

Environmental

Working Temperature : 0 °C to + 55 °C
 Working Humidity : 10 to 90% RH
 Storage Temperature : 0°C TO + 85 °C
 IP Rating : IP20 Protected from touch by hands And objects greater than 12MM. Not protected from liquids

Protection

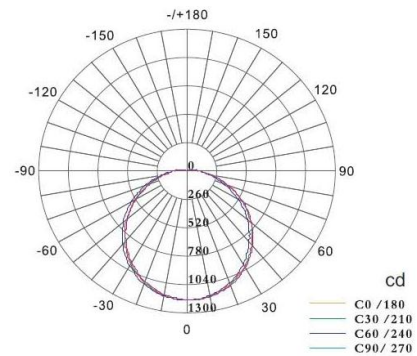
Input Overvoltage/Under voltage : Protected
 High voltage standing : Protected
 Output Short circuit : Protected
 Voltage Power Fluctuations/Surge : Protected

Physical Details

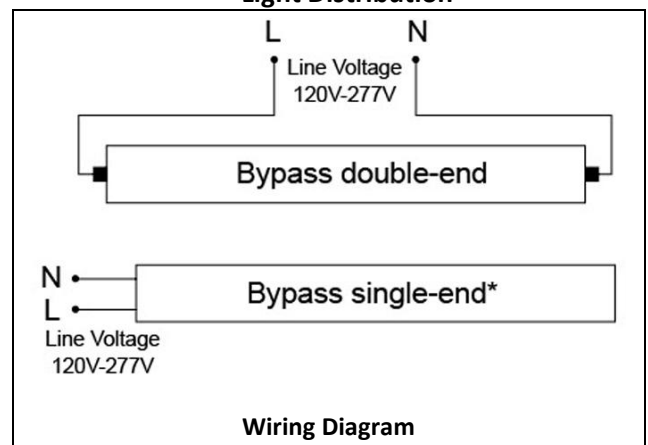
Material : Heat sink-Aluminium with PC Diffuser
 Suitable Fixing : Surface Mounting , Wall Mounting / Ceiling Mounting (with fixture)
 Dimensions (L) : 1200mm

Applications : Indoor
 Application Area : Commercial and residential Warehouse
 Overhead machine lighting
 Production Line.
 Retail & Hospitality

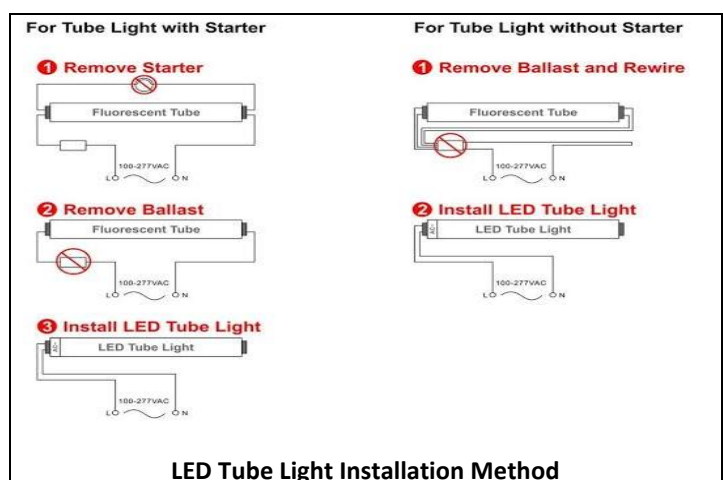
Warranty : 2 Years



Light Distribution



Wiring Diagram



www.shineplusled.com

