

Technical Data Sheet_ SHHB100W LED Dome High-bay Light

Product Details

Code : SHHB100W LED Dome High-bay Light
Model : High-bay Light
Make : SHINE PLUS

Electrical Data

Power Consumption : 100W
Power consumption tolerance : +/-10%
Operating Voltage Range : 100VAC-265VAC
Frequency : 50 or 60 Hz
Power Factor : > 0.95
THD : < 10%
Driver : high-stability isolated constant current
No. Of Gear units : 2 units
Efficiency : > 88%

Light Data

Light source : LED OSRAM SMD 2835
Efficacy : 120 lm/Watt
Luminous Flux : 12000 Lm
Optic Type : Wide Beam
Luminaire light beam spread : 110 °
Optic Material : Polycarbonate
Optical cover / Lens Material : Polycarbonate
Optical cover/lens finish : Frosted
Colour temperature : 6500K
Color Rendering Index : CRI > 80
Color tolerance adjustment : ≤10SDCM

Average Life : L70@30,000 Hours.

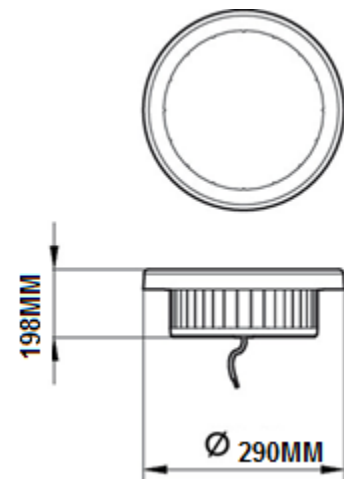
Environmental

Working Temperature : -25 to + 40 °C
Working Humidity : 10 to 90% RH
Storage Temperature : 0°C TO + 85 °C
Ingress Protection Code : IP44 (Protected from tools and small wires greater than 1 millimetre.)

Mech. Impact protection code : IK08 (The equivalent to the impact of a 1.7kg mass dropped from 300mm above the impacted surface)

Protection

Input Overvoltage/Under voltage : Protected >300VAC with 5-10V hysteresis
High voltage standing : Protected (440VAC)
Output Short circuit : Protected
Voltage Power Fluctuations/Surge : Protected (6KV for surge)
Protection class IEC : Safety Class I



Mechanical Dimension

Technical Data Sheet_ SHHB100W LED Dome High-bay Light

Physical Details

Housing Material	: Aluminium Die cast - High-purity aluminium radiator with high thermal conductivity
Reflector Material/ shape	: Aluminium/Dome
Dimensions with reflector (dome)	: $\phi 290\text{mm}$ * H198mm
Net Weight	: 1.4 kg
Gross weight	: 1.6kg
Size of Color Box	: 215mm*215mm*125mm
Suitable Fixing	: Hoisting
Connection	: Flying leads/wires
Cable	: Cable 0.3 m without plug -0.75sq.mm three-core cable ,the brown wire is "L" wire, the blue wire is "N"wire, and the yellow-green wire is the "E".)

Applications : Indoor

Application Area:

It is suitable for supermarkets, large workshops, Steel mills, Warehouses, Airport, Highway toll stations, Gas stations, Exhibition halls, Gymnasiums, Bus waiting rooms, Railway station waiting rooms and other places requiring high space lighting.

Warranty : 2 Years

Figure and size of Lamp body : $\phi 212.1\text{mm}$ * 100.7 mm

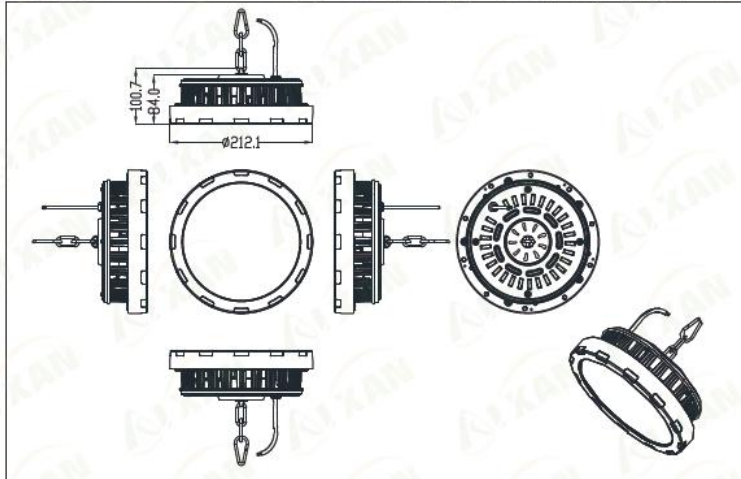
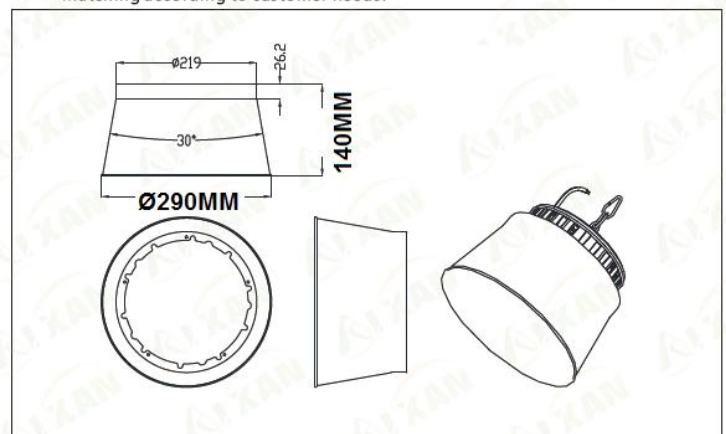


Figure and size of lampshade : $\phi 290$ X 140MM

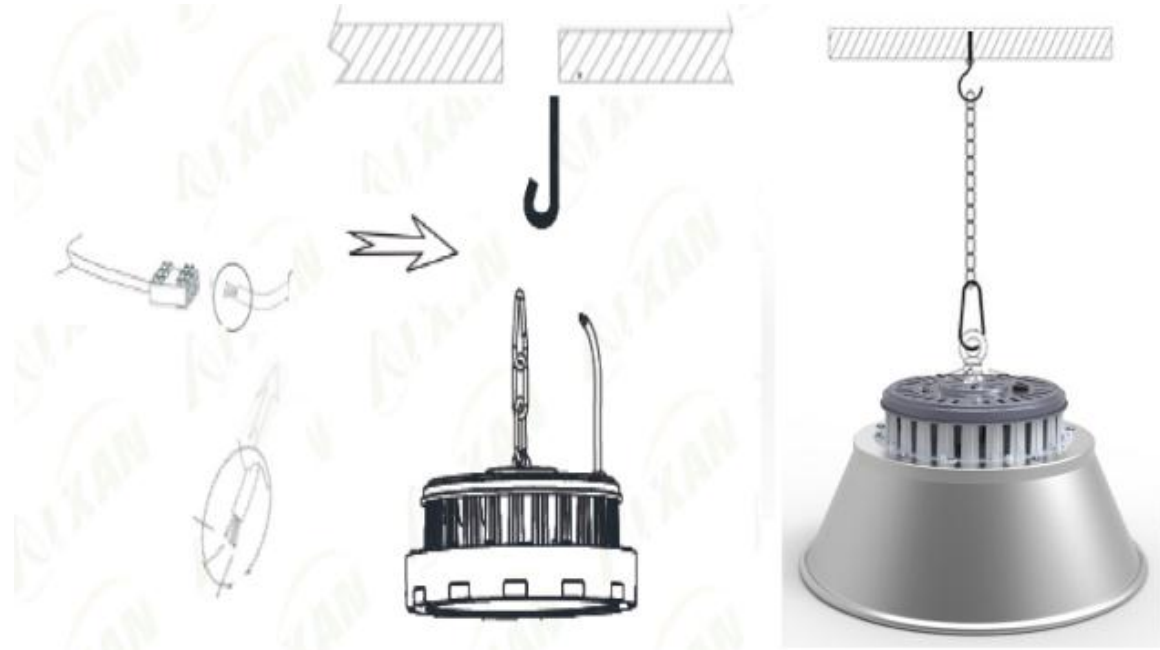
— Matching according to customer needs.



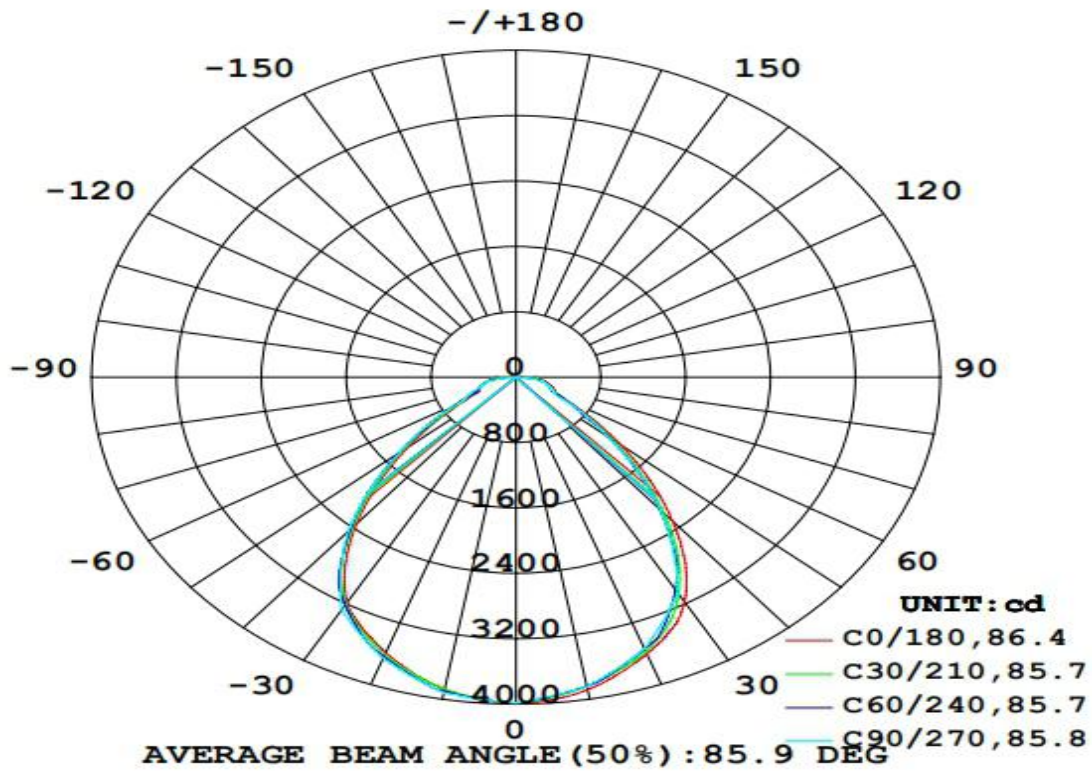
www.shineplusled.com

Technical Data Sheet_ SHHB100W LED Dome High-bay Light

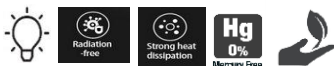
Installation Height Suggestion: (Suitable for installation at a height of 6-12m)



Surface of intensity Distribution:

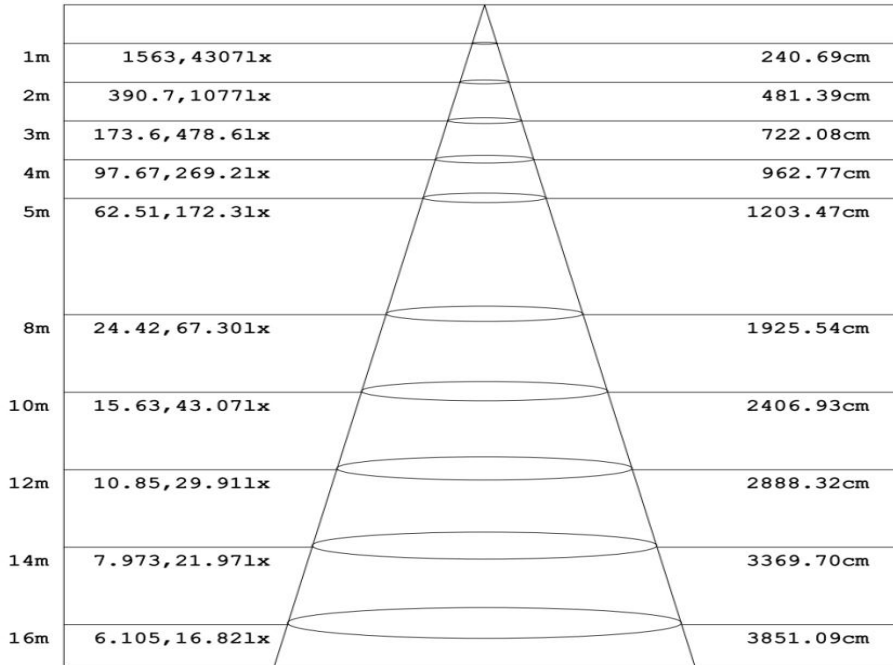


www.shineplusled.com



Technical Data Sheet_ SHHB100W LED Dome High-bay Light

Flux out: 7225 lm

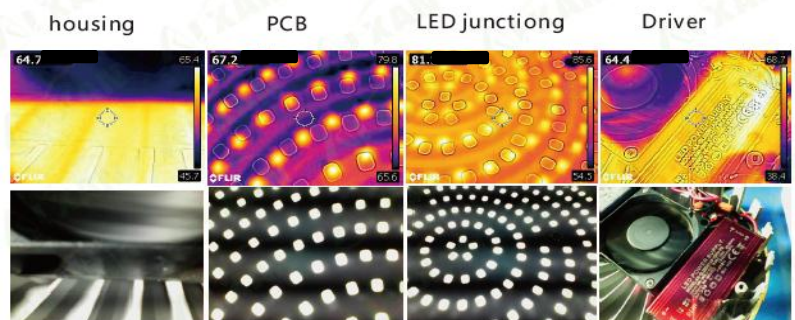


Height Eavg, Emax Angle: 100.55deg Diameter
 Note: The Curves indicate the illuminated area and the average illumination when the luminaire is at different distance.

Temperature test report

Product Name	position	Temperature	Ambient temperature	Temperature rise
SHHB100W LED Dome High-bay Light	LED junctiong	81.1 °C	31.0 °C	50.1 °C
	PCB	67.2 °C	31.0 °C	36.2 °C
	housing	64.7 °C	31.0 °C	33.7 °C
	Driver	64.4 °C	31.0 °C	33.4 °C

Thermal imagery



www.shineplusled.com